



AC03FP

Air Bagging Tool

OPERATING & MAINTENANCE MANUAL



WARNING

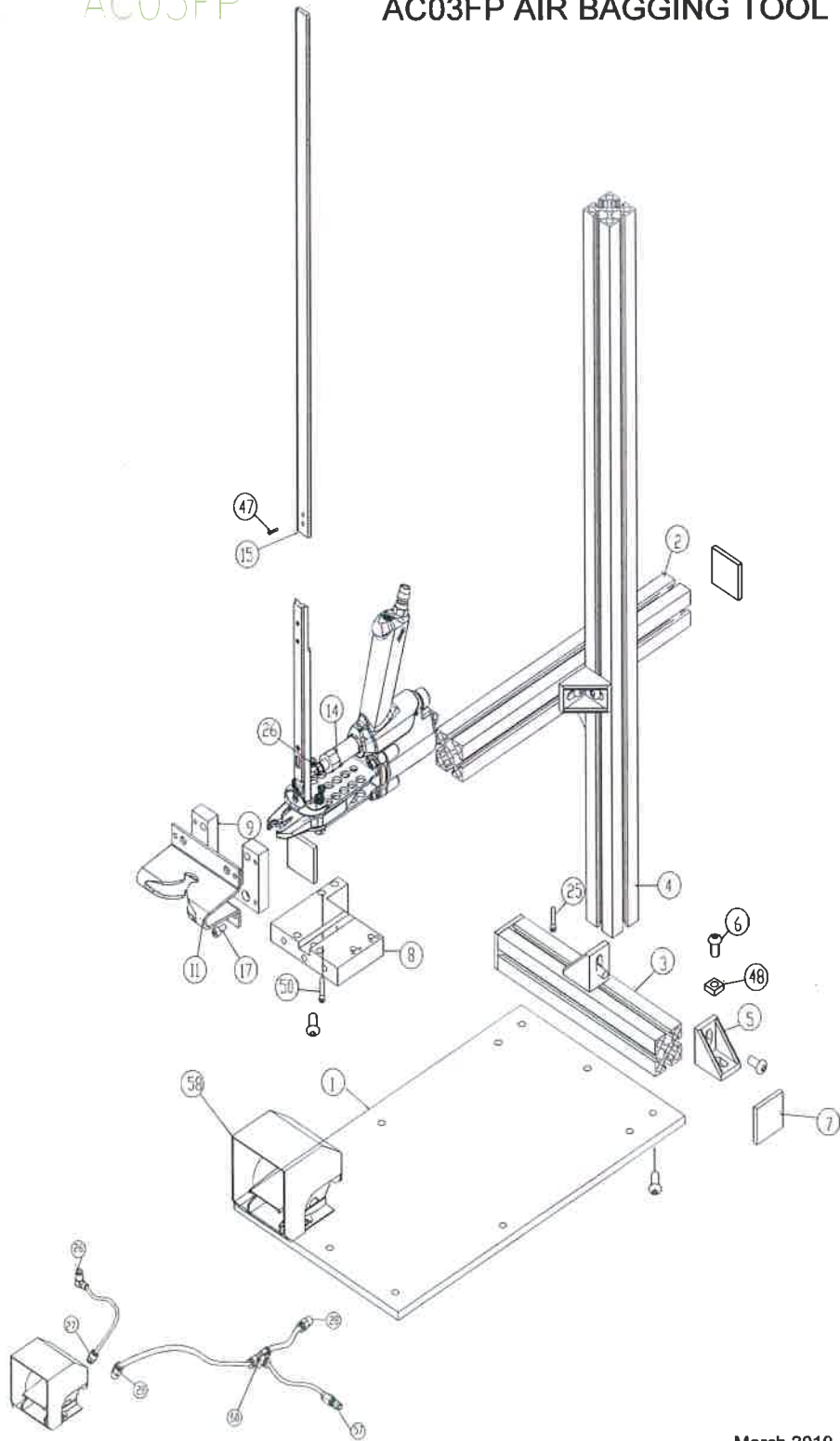
BEFORE USING THIS TOOL, STUDY THIS MANUAL TO ENSURE SAFETY WARNING AND INSTRUCTIONS.

KEEP THESE INSTRUCTIONS WITH THE TOOL FOR FUTURE REFERENCE.

MARCH 2019

AC03FP

AC03FP AIR BAGGING TOOL



March 2019

NO.	Part No.	Description	Q'ty
1	FS01001	Base Plate	1
2	FS01002	Bracket 340mm	1
3	FS01003	Bracket 240mm	1
4	FS01004	Bracket 800mm	1
5	FS01005	Bracket Fastener	4
6	FS01006	Screw M8x15mm	15
7	FS01007	Bracket Protector	5
8	FS01008	Bracket Base	1
9	FS01009	Bracket Base Fastener(Left)	1
11	FS01011	Feeder Guide	1
14	FS01014	Piston	1
15	FS01015	Rail Extender	1
17	FS01017	Screw M5x10mm	4
25	FS01025	Screw M4*25	2
26	FS01026	90° Quick Coupling	1
27	FS01027	Screw Thread 1/4*4mm	1
28	FS01028	Screw Thread 1/4*8mm	2
47	FS01047	Screw M4*15	2
48	FS01048	4 Square Nut M8	15
50	FS01050	Screw M8*30	2
57	FS01057	Screw M8*30	1
58	FS01058	Foot pedal Device	1
60	FS01060	T Quick Coupling	1